

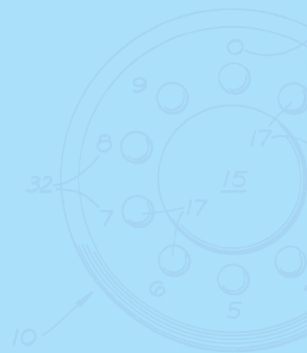
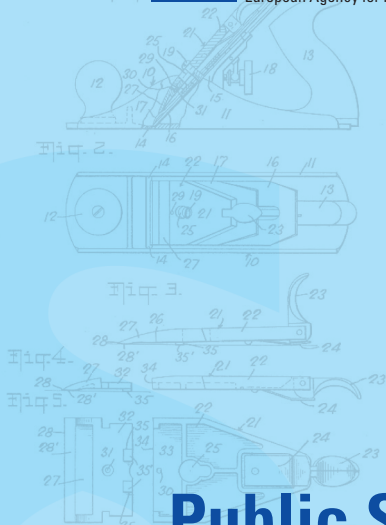
Technical Assistance to the Intellectual Property Office of Serbia



A European Union funded Project
managed by the
European Agency for Reconstruction



Implemented by the
European Patent Office



Public Seminar on Claim Drafting

Belgrade, 16 - 17 November 2006
Hotel Metropol

Programme

Thursday, 16 November 2006

Official opening – Public presentation of the project "Technical Assistance to the Intellectual Property Office of Serbia"

09:00 - 09:45 Opening address
■ **Ms Branka Totić**
Acting Director, Intellectual Property Office of the Republic of Serbia

Presentation of the project "Technical Assistance to the Intellectual Property Office of Serbia"

■ **Mr Benoît Hambücker**
Representative of the European Agency for Reconstruction

■ **Mr Pascal Phlix**
Representative of the European Patent Office

Time for questions from the press

Session 1 Inventions, patentability, claims

09:45 - 10:15 Patents and patenting system in Serbia. The structure of an application and the importance of the quality.
■ **Ms Jelena Popović**
Senior patent examiner and Head of Documentation department

10:15 - 10:45 Discoveries, inventions, patentable subject-matter
■ **Mr David Harrison**
European Patent Attorney

10:45 - 11:15 Coffee break

11:15 - 12:00 Patentability requirements. In particular:
• Novelty and priority
• Inventive step: The problem-solution approach
■ **Ms Karin Pramberger**
European Patent Attorney

12:00 - 12:30 Prior art: definition(s) and coverage of databases
■ **Mr Pascal Phlix**
European Patent Office

12:30 - 14:00 Lunch break

14:00 - 14:15 Questions on the morning session

Thursday, 16 November 2006

- 14:15 - 15:00 Claims: their function and their form
- one-part / two-part form
 - general types
 - special types
 - first and second medical use
 - disclaimer
- **Ms Karin Pramberger**
European Patent Attorney
- 15:00 - 15:30 Points relating specifically to Serbia:
- legislation
 - structure of claims
 - other topics suggested by IPO
- **Ms Olivera Djenović**
Senior patent examiner, Chemistry department, Patent sector
- 15:30 - 16:00 Testing the validity of claims:
- clarity
 - basis
 - problem-solution approach
 - unity of invention
- **Ms Karin Pramberger**
European Patent Attorney
- 16:00 - 16:15 Coffee break
- 16:15 - 16:45 Practical exercises on the validity of claims
- **Mr David Harrison**
European Patent Attorney
- 16:45 - 17:00 Open discussion – End of the first day

Language:
English – interpreters available

Friday, 17 November 2006

- Session 2 Interactive workshop with work on practical cases**
The participants will be separated into 2 groups during the morning session
- chemistry and biotechnology
 - mechanics, electricity and physics
- 09:00 - 10:00 Mechanics of claim drafting with practical examples
■ **Mr David Harrison and Ms Karin Pramberger**
European Patent Attorneys
- 10:00 - 10:30 Case studies and practical exercises (part 1)
■ **Mr David Harrison and Ms Karin Pramberger**
European Patent Attorneys
- 10:30 - 10:45 Coffee break
- 10:45 - 11:45 Case studies and practical exercises (part 2)
■ **Mr David Harrison and Ms Karin Pramberger**
European Patent Attorneys
- 11:45 - 12:15 Group discussion and questions
■ **Mr David Harrison and Ms Karin Pramberger**
European Patent Attorneys
- 12:15 - 13:45 Lunch break
- 13:45 - 14:45 Summary of crucial points / discussion on selected problems
■ **Mr David Harrison**
European Patent Attorney
- 14:45 - 15:00 Coffee break
- 15:00 - 16:00 Case studies / practical exercises
■ **Mr David Harrison**
European Patent Attorney
- 16:00 - 16:30 Conclusion of the workshop

Language:
English – interpreters available

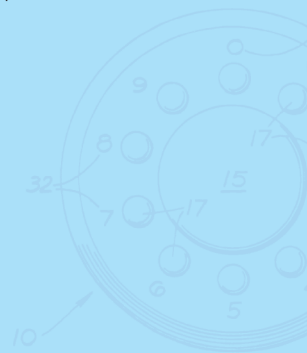
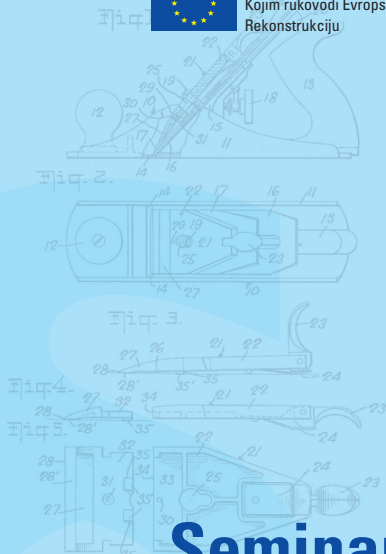
Tehnička pomoć Zavodu za intelektualnu svojinu Srbije



Projekat koji finansira Evropska Unija
Kojim rukovodi Evropska Agencija za
Rekonstrukciju



Primenjuje Evropski
zavod za patente



Seminar o Formulisanju Patentnih Zahteva

16. i 17. novembar 2006.
Hotel Metropol

Program

16. novembar 2006.

**Zvanično otvaranje– Javna prezentacija Nacionalnog projekta
“Tehnička pomoć Zavodu za intelektualnu svojinu Srbije”**

- 09:00- 09:45 Pozdravni govor
■ **g-đa Branka Totić**
v.d.direktor, Zavod za intelektualnu svojinu Republike Srbije
- Nacionalni projekti EU u Republici Srbiji
■ **g-din Benoît Hambücker**
predstavnik Evropske agencije za rekonstrukcij
- Prezentacija Nacionalnog projekta i njegov značaj za Zavod za intelektualnu svojinu Republike Srbije
■ **g-din Pascal Phlix**
predstavnik Evropskog zavoda za patente
- Pitanja predstavnika štampe
- Sesija I Pronalasci, patentabilnost, patentni zahtevi**
- 09:45 - 10:15 Patenti i sistem patentiranja u Srbiji. Struktura prijave i značaj kvaliteta
■ **g-đa Jelena Popović**
načelnik Odeljenja za patentnu dokumentaciju i patentni ispitivač, Zavod za intelektualnu svojinu Republike Srbije
- 10:15 - 10:45 Otkrića, pronalasci i pitanje patentibilnosti
■ **g-din David Harrison**
evropski patentni zastupnik
- 10:45 - 11:15 Pauza za kafu
- 11-15 - 12:00 Zahtevi patentibilnosti
Posebno:
• Novost i prioritet
• Inventivni nivo: Pristup problem-rešenje
■ **g-đa Karin Pramberger**
evropski patentni zastupnik
- 12:00 - 12:30 Prethodno stanje tehnike: definicija/e i pokrivenost kroz baze podataka
■ **g-din Pascal Phlix**
Evropski zavod za patente
- 12:30 - 14:00 Pauza za ručak

16. novembar 2006.

- 14:00 - 14:15 Pitanja koja se odnose na jutarnje zasedanje
- 14:15 - 15:00 Zahtevi: njihova uloga i forma
- prvi deo zahteva / drugi deo zahteva
 - opšti tipovi
 - specijalni tipovi
 - prva i druga upotreba u medicini
 - disclaimer
- **g-đa Karin Pramberger**
evropski patentni zastupnik
- 15:00 - 15:30 Pitanja specifična za Srbiju
- zakonodavstvo
 - struktura zahteva
 - druge teme na predlog Zavoda
- **g-đa Olivera Đenović**
inženjer-patentni ispitivač, Odeljenje za hemiju Patentnog sektora
Zavoda za intelektualnu svojinu Republike Srbije
- 15:30 - 16:00 Ispitivanje validnosti zahteva:
- jasnost
 - zasnovanost
 - pristup problem-rešenje
 - jedinstvo pronalaska
- **g-đa Karin Pramberger**
evropski patentni zastupnik
- 16:00 - 16:15 Pauza za kafu
- 16:15 - 16:45 Praktične vežbe o validnosti zahteva
- **g-din David Harrison**
evropski patentni zastupnik
- 16:45 -17:00 Otvorena diskusija – Kraj prvog dana

Jezik:

Engleski – prevodioci obezbeđeni

17. novembar 2006.

Sesija II	Interaktivna radionica sa radom na praktičnim slučajevima Učesnici će biti podeljeni u dve grupe tokom jutarnjeg zasedanja <ul style="list-style-type: none">• Hemija i biotehnologija• Mašinstvo i elektrotehnika
09:00 – 10:00	Mehanika sastavljanja patentnih zahteva sa praktičnim primerima ■ g-din David Harrison i Karin Pramberger <i>evropski patentni zastupnici</i>
10:00 - 10:30	Studije slučajeva i praktične vežbe (deo 1) ■ g-din David Harrison i gdja Karin Pramberger <i>evropski patentni zastupnici</i>
10:30 - 10:45	Pauza za kafu
10:45 – 11:45	Studije slučajeva i praktične vežbe (deo 2) ■ g-din David Harrison i gdja Karin Pramberger <i>evropski patentni zastupnici</i>
11:45 - 12:15	Grupne diskusije i pitanja ■ g-din David Harrison i gdja Karin Pramberger <i>evropski patentni zastupnici</i>
12:15 - 13:45	Pauza za ručak
13:45 - 14:45	Pregled ključnih pitanja / diskusija o odabranim problemima ■ g-din David Harrison <i>evropski patentni zastupnik</i>
14:45 - 15:00	Pauza za kafu
15:00 - 16:00	Studije slučajeva / praktične vežbe ■ g-din David Harrison <i>evropski patentni zastupnik</i>
16:00 - 16:30	Završetak radionice

Jezik:

Engleski – prevodioci obezbeđeni



Notes/Beleške:



Notes/Beleške:



Notes/Beleške:

Technical Assistance to the Intellectual Property Office of Serbia



A European Union funded Project
managed by the
European Agency for Reconstruction



Implemented by the
European Patent Office

Contact:
European Patent Office
Ms Dijana Pencic
Project Assistant
Tel. +38 (0)11-2631 463
dpenci.CARDS2004@gmail.com